



(12) **United States Design Patent**
Swerdloff

(10) **Patent No.:** **US D903,571 S**
(45) **Date of Patent:** **** Dec. 1, 2020**

- (54) **WHEEL RIM**
- (71) Applicant: **OE Wheels Distributors, LLC**,
Sarasota, FL (US)
- (72) Inventor: **Jordan Max Swerdloff**, Sarasota, FL
(US)
- (73) Assignee: **O.E. WHEEL DISTRIBUTORS,
LLC**, Sarasota, FL (US)
- (**) Term: **15 Years**
- (21) Appl. No.: **29/734,914**
- (22) Filed: **May 15, 2020**

Related U.S. Application Data

- (62) Division of application No. 35/507,229, filed on Dec. 4, 2018 (U.S. filing date under 35 U.S.C. 384), and having an international filing date of Dec. 4, 2018, now Pat. No. Des. 890,069.

- (51) **LOC (12) Cl.** **12-16**
- (52) **U.S. Cl.** **D12/209**
USPC

- (58) **Field of Classification Search**
USPC D12/204-213; D21/533, 561, 563
CPC B60B 7/00; B60B 7/02; B60B 7/04; B60B
7/06; B60B 3/02; B60B 3/04; B60B 3/06;
B60B 3/10; B60B 1/00; B60B 1/08;
B60B 1/10; B60B 1/12
See application file for complete search history.

(56) **References Cited**

U.S. PATENT DOCUMENTS

- D375,073 S * 10/1996 Theiss D12/209
- D504,650 S * 5/2005 Ishiwata D12/209
- D680,933 S * 4/2013 Hale, Jr. D12/209

- D680,935 S * 4/2013 Claunch D12/209
- D686,958 S * 7/2013 Claunch D12/209
- D688,615 S * 8/2013 Hale, Jr. D12/209
- D722,545 S * 2/2015 Chung D12/209
- D736,136 S * 8/2015 Hale, Jr. D12/213
- D741,241 S * 10/2015 Hale, Jr. D12/211
- D741,776 S * 10/2015 Zhao D12/211
- D828,266 S * 9/2018 Garcia D12/209
- D828,270 S * 9/2018 Aslam D12/211
- D830,269 S * 10/2018 Garcia D12/209
- D830,271 S * 10/2018 Aslam D12/213
- D830,272 S * 10/2018 Aslam D12/213
- D830,273 S * 10/2018 Aslam D12/213
- D830,274 S * 10/2018 Aslam D12/213
- D830,275 S * 10/2018 Aslam D12/213
- D830,276 S * 10/2018 Aslam D12/213
- D830,278 S * 10/2018 Aslam D12/213
- D830,942 S * 10/2018 Aslam D12/213
- D831,561 S * 10/2018 Aiello D12/213
- D832,174 S * 10/2018 Chung D12/209
- D858,888 S * 9/2019 Teller D28/85
- D858,889 S * 9/2019 Teller D28/85

* cited by examiner

Primary Examiner — Sheryl Lane

Assistant Examiner — Calvin E Vansant

(74) *Attorney, Agent, or Firm* — Shumaker, Loop & Kendrick, LLP

(57) **CLAIM**

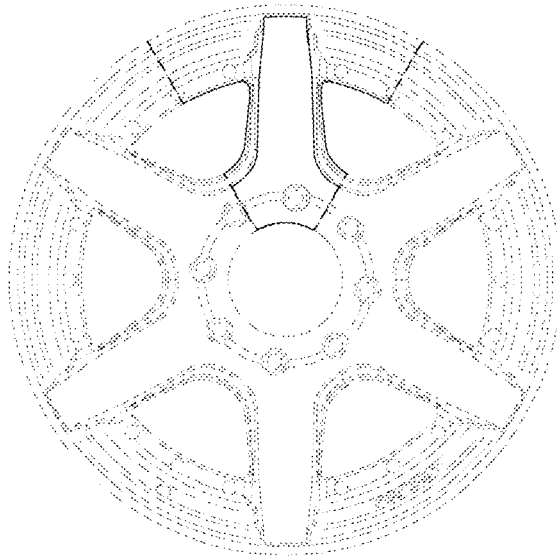
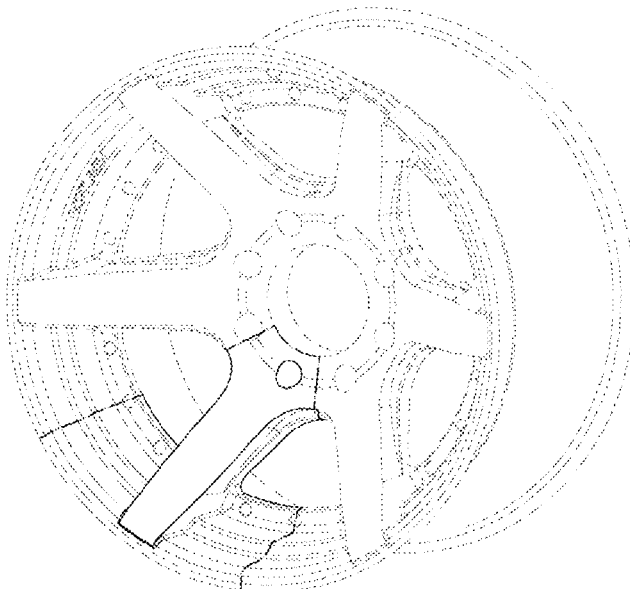
The ornamental design of a wheel rim, as shown and described.

DESCRIPTION

FIG. 1 is a perspective view of the wheel rim features; and, FIG. 2 is a front view of the wheel rim features.

The dashed broken lines depict environmental subject matter that forms no part of the claimed design. The dot-dash lines represent boundaries of the claim and form no part of the claimed design.

1 Claim, 2 Drawing Sheets



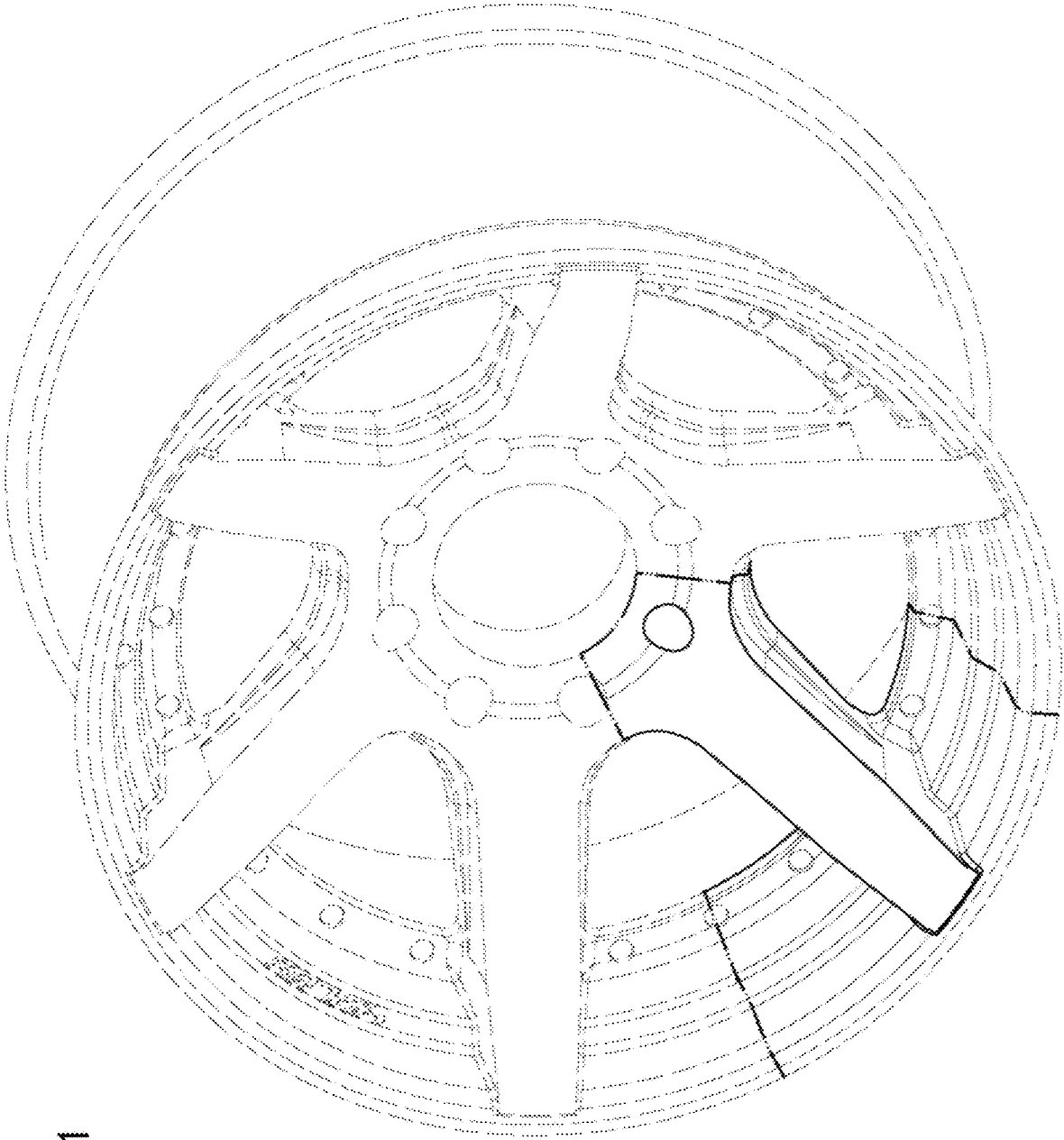


FIG. 1

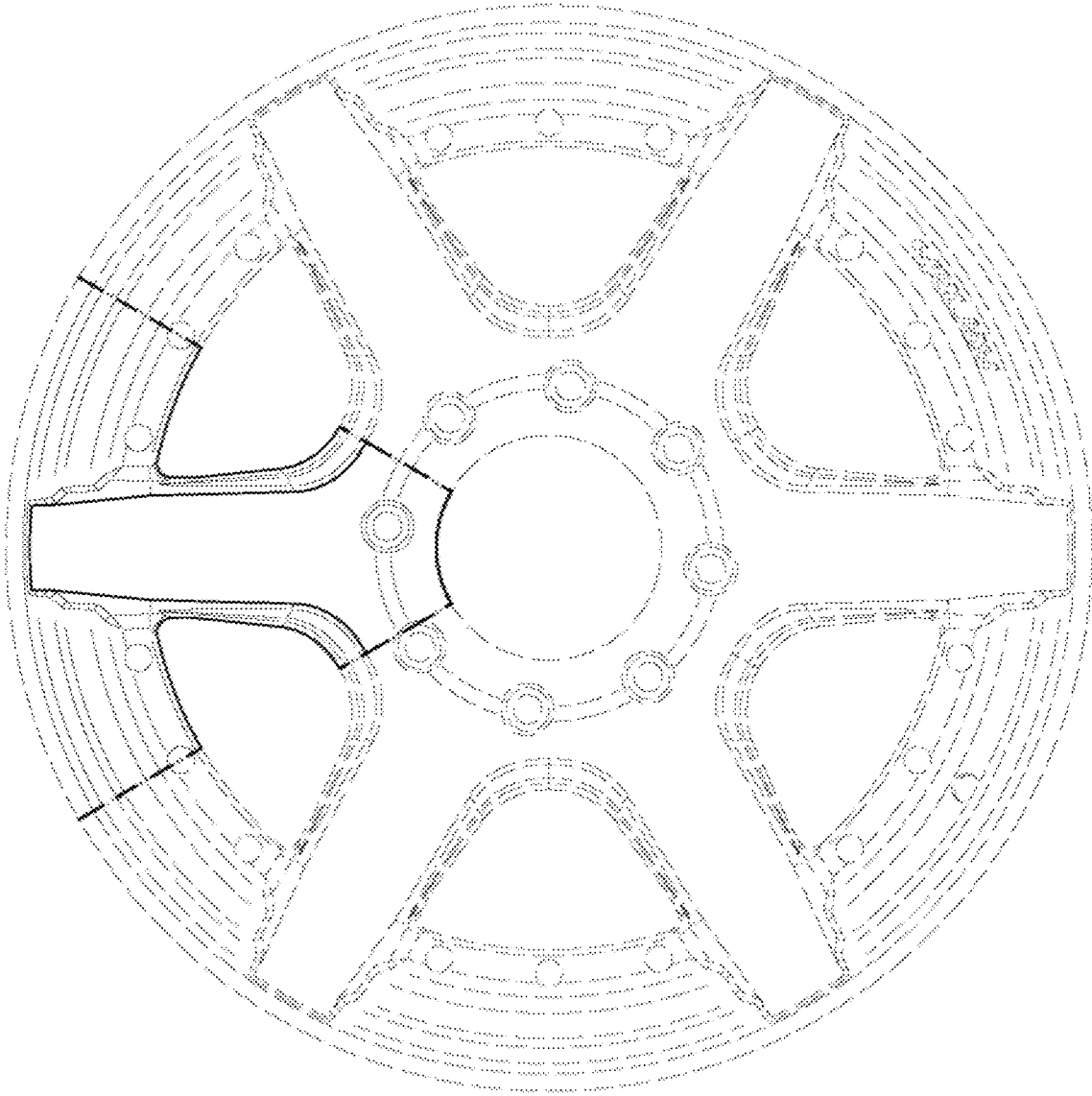


FIG. 2