



US00D909275S

(12) **United States Design Patent**
Swerdloff

(10) **Patent No.:** **US D909,275 S**

(45) **Date of Patent:** **** Feb. 2, 2021**

(54) **WHEEL RIM**

(71) Applicant: **OE Wheels Distributors, LLC,**
Sarasota, FL (US)

(72) Inventor: **Jordan Max Swerdloff,** Sarasota, FL
(US)

(73) Assignee: **O.E. WHEEL DISTRIBUTORS,**
LLC, Sarasota, FL (US)

(**) Term: **15 Years**

(21) Appl. No.: **29/734,919**

(22) Filed: **May 15, 2020**

Related U.S. Application Data

(62) Division of application No. 35/507,229, filed on Dec. 4, 2018 (U.S. filing date under 35 U.S.C. 384), and having an international filing date of Dec. 4, 2018, now Pat. No. Des. 890,069.

(51) **LOC (13) Cl.** **12-16**

(52) **U.S. Cl.**
USPC **D12/211**

(58) **Field of Classification Search**

USPC D12/204-213; D21/533, 561, 563
CPC B60B 7/00; B60B 7/02; B60B 7/04; B60B
7/06; B60B 3/02; B60B 3/04; B60B 3/06;
B60B 3/10; B60B 1/00; B60B 1/08;
B60B 1/10; B60B 1/12

See application file for complete search history.

(56) **References Cited**

U.S. PATENT DOCUMENTS

D525,932 S * 8/2006 Hettler D12/211
D551,609 S * 9/2007 Hettler D12/211
D584,210 S * 1/2009 Baum D12/211
D603,779 S * 11/2009 Futschik D12/211

D604,221 S * 11/2009 Krisch D12/211
D604,223 S * 11/2009 Dilber D12/211
D610,064 S * 2/2010 Dilber D12/211
D617,709 S * 6/2010 Borkert D12/209
D619,952 S * 7/2010 Juergens D12/211
D656,078 S * 3/2012 Hans D12/211
D659,069 S * 5/2012 Johnson D12/211
D676,795 S * 2/2013 Wachter D12/211
D704,118 S * 5/2014 Chung D12/209
D709,019 S * 7/2014 Hale, Jr. D12/211
D714,208 S * 9/2014 Chung D12/211
D716,713 S * 11/2014 Hale, Jr. D12/211
D717,710 S * 11/2014 Chung D12/211
D722,938 S * 2/2015 Chung D12/211
D743,316 S * 11/2015 Zhao D12/211
D749,031 S * 2/2016 Zhao D12/211
D751,488 S * 3/2016 Zhao D12/211
D753,047 S * 4/2016 Alfonso D12/211
D755,101 S * 5/2016 Gallert D12/211
D756,285 S * 5/2016 Zhao D12/211
D756,286 S * 5/2016 Zhao D12/211
D756,881 S * 5/2016 Zhao D12/211
D814,378 S * 4/2018 Mielke D12/209

(Continued)

Primary Examiner — Sheryl Lane

Assistant Examiner — Calvin E Vansant

(74) *Attorney, Agent, or Firm* — Shumaker, Loop & Kendrick, LLP

(57)

CLAIM

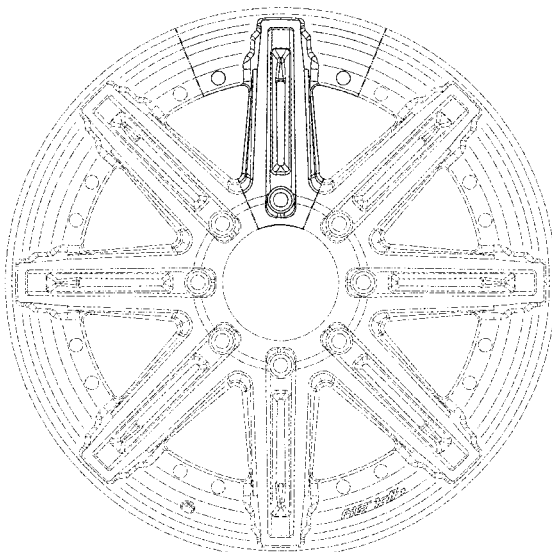
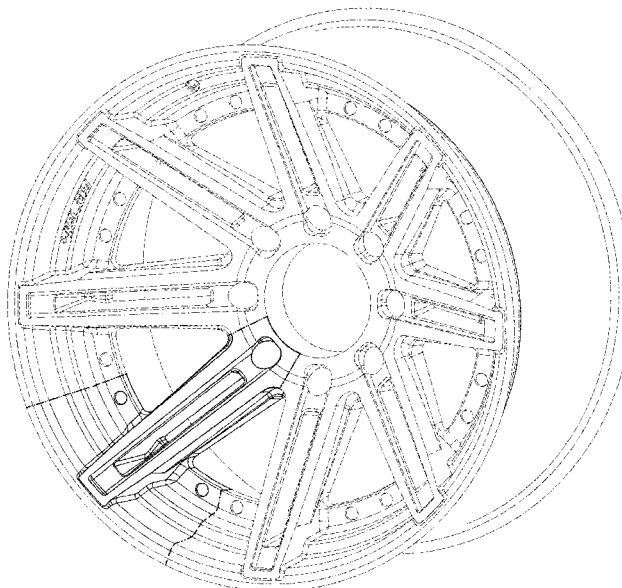
The ornamental design of a wheel rim, as shown and described.

DESCRIPTION

FIG. 1 is a perspective view of the wheel rim features; and, FIG. 2 is a front view of the wheel rim features.

In the drawings, the dashed broken lines represent portions of the wheel rim that form no part of the claimed design. The dot-dash lines represent boundaries of the claim and form no part of the claimed design.

1 Claim, 2 Drawing Sheets



(56)

References Cited

U.S. PATENT DOCUMENTS

D818,413	S	*	5/2018	Badstuebner	D12/211
D821,282	S	*	6/2018	Gallert	D12/209
D827,541	S	*	9/2018	Bucher	D12/209
D830,932	S	*	10/2018	Zhao	D12/209
D834,489	S	*	11/2018	Sempek	D12/211
D840,892	S	*	2/2019	Chung	D12/209
D840,898	S	*	2/2019	Wittinger	D12/209
D842,196	S	*	3/2019	Han	D12/209
D847,721	S	*	5/2019	Chung	D12/211
D865,609	S	*	11/2019	Yeh	D12/209
D865,611	S	*	11/2019	Interrante	D12/209
D867,960	S	*	11/2019	Aslam	D12/209
D887,942	S	*	6/2020	Han	D12/209

* cited by examiner

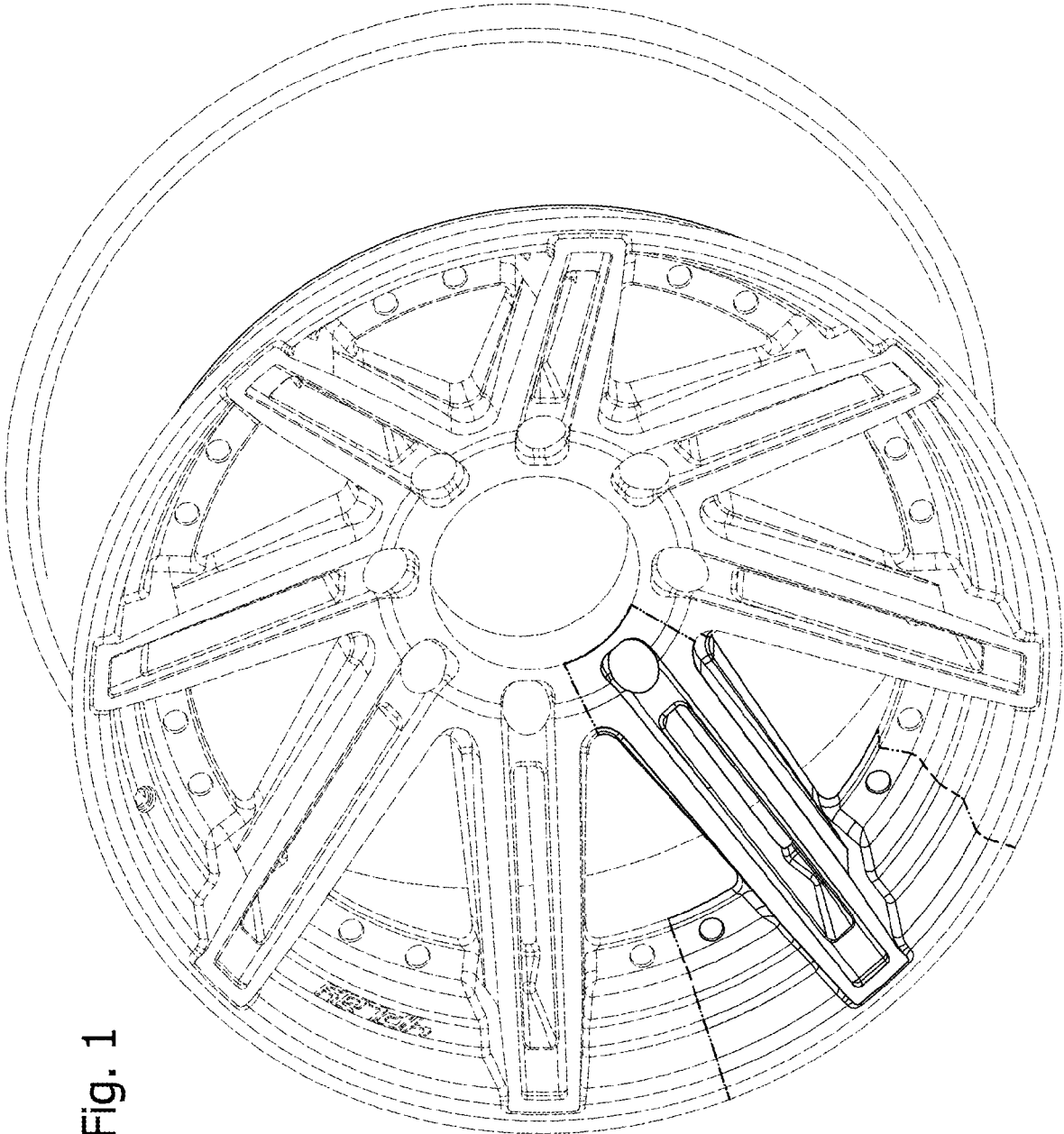


Fig. 1

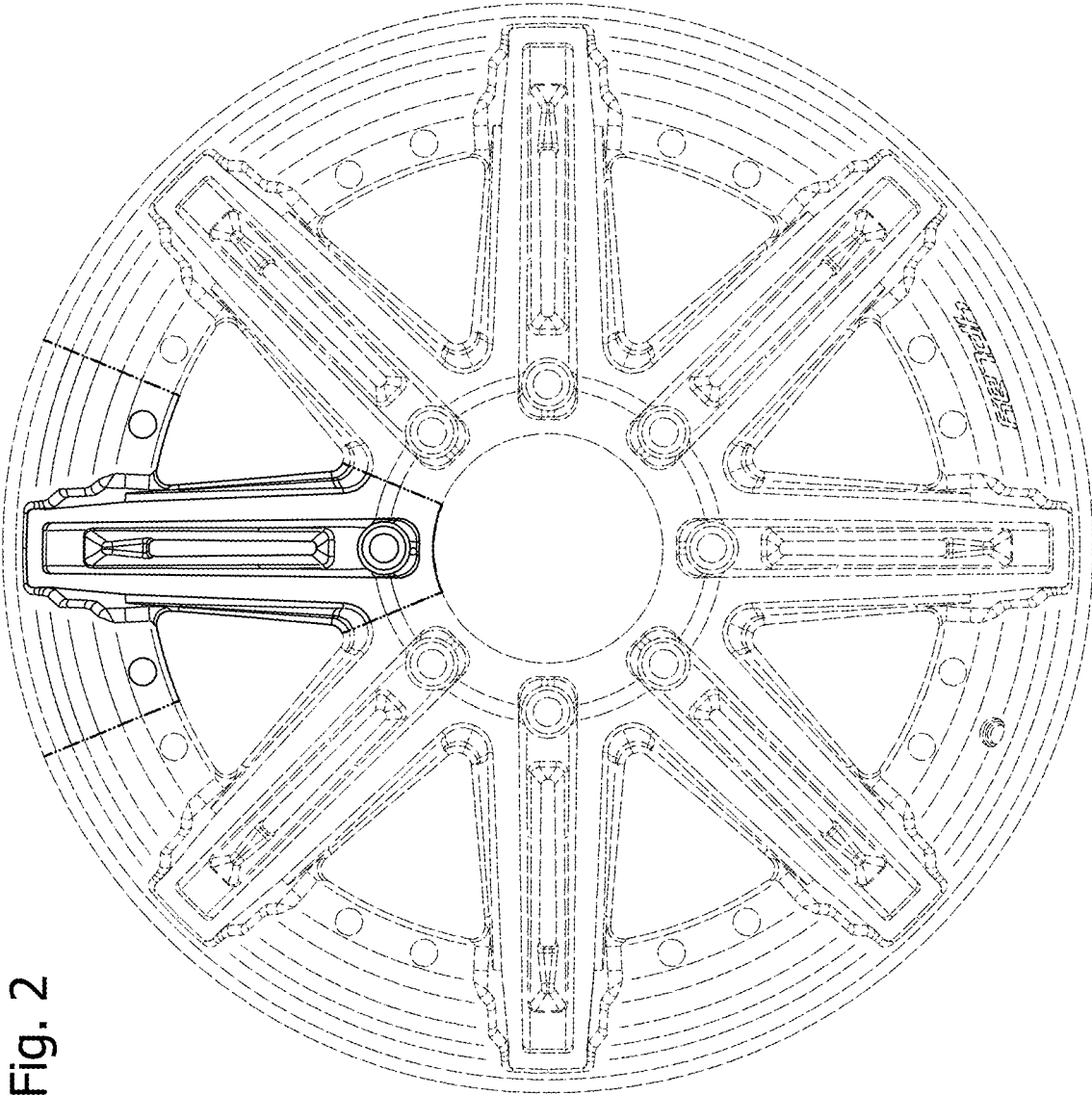


Fig. 2